

AM1/D2-5A

cylindrical inductive



Micro Detectors

Italian Sensors Technology



Detection properties

Operating distance	0...6mm
Standard target	18x18mm FE360
Thermal drift of Sr	$\pm 5\%$ (0...+70°C); $\pm 10\%$ (-25°C...0°C)
Repeat Accuracy	0,3mm (UB 20...30Vcc/Vdc Ta=23°C $\pm 5^\circ\text{C}$)
Resolution	$\leq 1\mu\text{m}$

Outputs

Output type	Analogue 0-10V Analogue 4-20mA
-------------	--------------------------------

Electrical data

Operating Voltage	15 - 30Vdc
No-Load supply current	$\leq 12\text{mA}$
Load current	$\leq 10\text{mA}$
	0V - 0 + 0,4V (23°C) +5,2V \pm 0,4V (23°C) +10V \pm 0,4V (23°C)
	1000Hz
	4mA \pm 0,8mA (23°C) 20mA \pm 0,8mA (23°C)
	500 Ω (UB = 15V) / 1k Ω (UB = 30V)
Max ripple content	$\leq 20\%$
Time delay before availability	$\leq 50\text{ms}$
Short-circuit protection	Yes

Reverse Polarity Protection	Yes
Max output current	4mA ± 0,8mA (23°C) 20mA ± 0,8mA (23°C)
Maximum capacitance load	500Ω (UB = 15V) / 1kΩ (UB = 30V)
Output voltage	0V - 0 + 0,4V (23°C) +5,2V ± 0,4V (23°C) +10V ± 0,4V (23°C)

Mechanical data

Dimensions	M12 x 1 / L = 50mm
Mounting	Partially shielded
Weight	95g
Housing Material	Chrome plated brass
Connections	2m PUR cable - Axial Exit
Active Head Material	PBT
Tightening torque	10Nm
Operating temperature	-25°C...+70°C

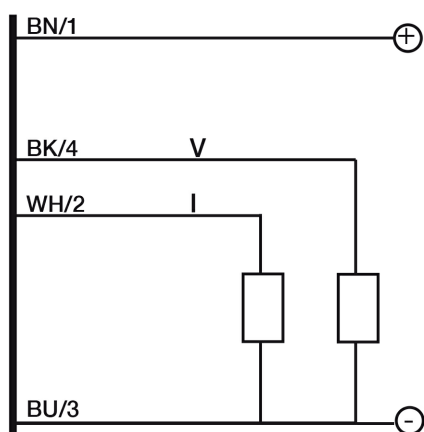
Test/Approvals

Approvals	CE
EMC compatibility	IEC 60947-5-2
Shocks and vibrations	Vibrations IEC 60068-2-6 / Shocks IEC 60068-2-27
Degree of protection	IP 67 (EN60529)

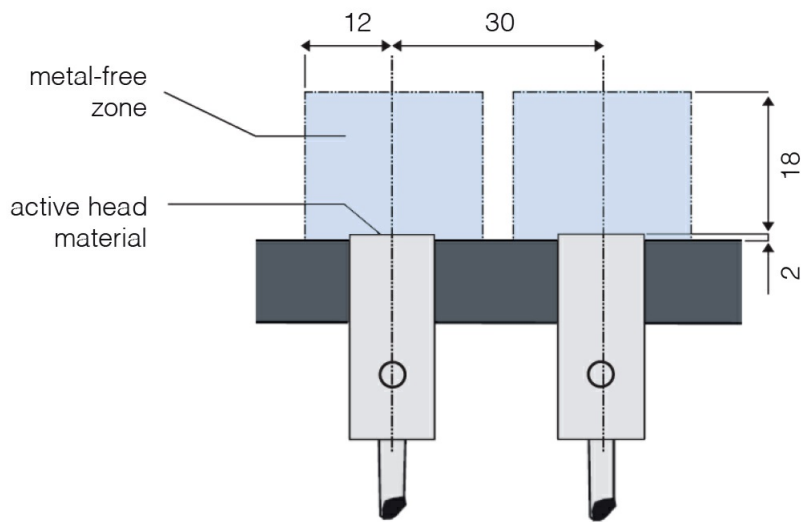
Accessories

Supplied Accessories	2 M12x1 nuts
----------------------	--------------

ELECTRICAL DIAGRAMS OF THE CONNECTIONS



INSTALLATION



M.D. Micro Detectors S.p.A.

Strada S.Caterina, 235

41122 Modena (MO)

Tel. 059 420411

Fax 059 253973

E-mail info@microdetectors.com

date of printing

04/07/2019 15:16:16