

# AK6/D2-5A

cylindrical inductive



Micro Detectors

Italian Sensors Technology



## Detection properties

|                     |  |
|---------------------|--|
| Operating distance  | 0...10mm   |
| Standard target     | 30x30mm FE360  |
| Thermal drift of Sr | $\leq 10\%$  |
| Repeat Accuracy     | 0,3mm (UB 20...30Vcc/Vdc Ta=23°C $\pm 5^\circ\text{C}$ ) |
| Resolution          | $\leq 2\mu\text{m}$                                      |

## Outputs

|             |                                |
|-------------|--------------------------------|
| Output type | Analogue 0-10V Analogue 4-20mA |
|-------------|--------------------------------|

## Electrical data

|                        |                    |
|------------------------|--------------------|
| Operating Voltage      | 15 - 30Vdc         |
| No-Load supply current | $\leq 12\text{mA}$ |
| Load current           | $\leq 10\text{mA}$ |

0V - 0 + 0,4V (23°C) +5,2V  $\pm 0,4\text{V}$  (23°C) +10V  $\pm 0,4\text{V}$  (23°C)

500Hz

4mA ± 0,8mA (23°C) 20mA ± 0,8mA (23°C)

500Ω (UB = 15V) / 1kΩ (UB = 30V)

Max ripple content ≤20%

Time delay before availability ≤50ms

Short-circuit protection Yes

Reverse Polarity Protection Yes

Max output current 4mA ± 0,8mA (23°C) 20mA ± 0,8mA (23°C)

Maximum capacitance load 500Ω (UB = 15V) / 1kΩ (UB = 30V)

Output voltage 0V - 0 + 0,4V (23°C) +5,2V ± 0,4V (23°C) +10V ± 0,4V (23°C)

## Mechanical data

Dimensions M18 x 1 / L = 36mm

Mounting Partially shielded

Weight 116g

Housing Material Chrome plated brass

Connections 2m PUR cable - Axial Exit

Active Head Material PBT

Tightening torque 25Nm

Operating temperature -25°C...+70°C

## Test/Approvals

Approvals CE

EMC compatibility IEC 60947-5-2

Shocks and vibrations Vibrations IEC 60068-2-6 / Shocks IEC 60068-2-27

Degree of protection IP 67 (EN60529)

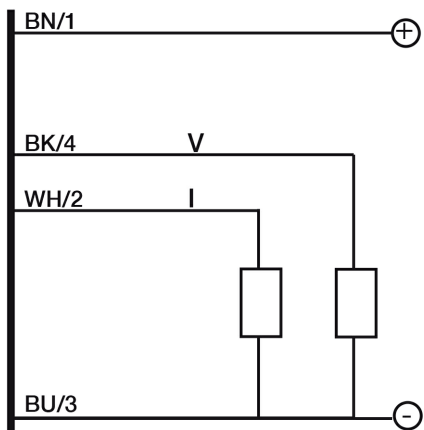
## Accessories

Supplied Accessories 2 M8x1 nuts

---

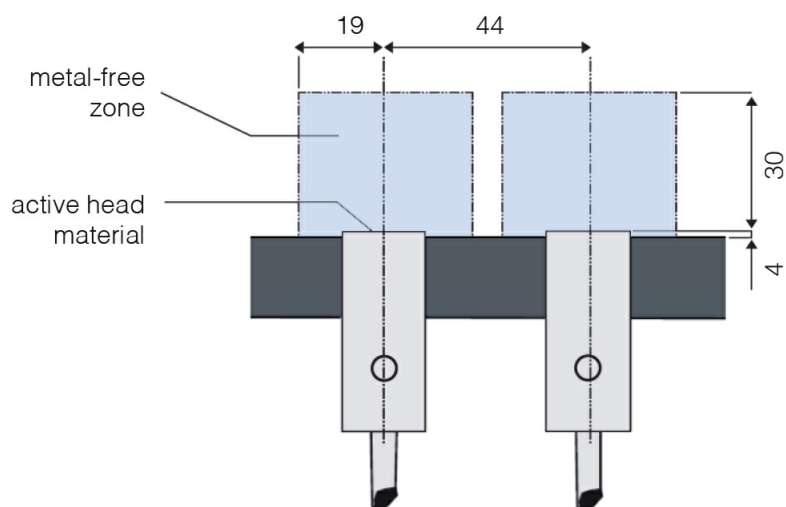
# ELECTRICAL DIAGRAMS OF THE CONNECTIONS

---



## INSTALLATION

---



### M.D.Micro Detectors S.p.A.

Strada S.Caterina, 235  
 41122 Modena (MO)  
 Tel. 059 420411  
 Fax 059 253973  
 E-mail [info@microdetectors.com](mailto:info@microdetectors.com)

### date of printing

04/07/2019 15:18:33