

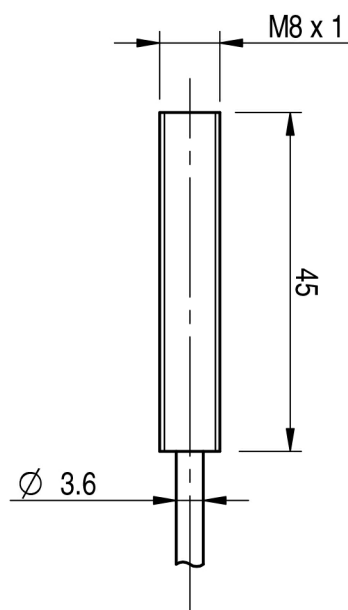
AE1/D1-7A

cylindrical inductive



Micro Detectors

Italian Sensors Technology



Detection properties

Operating distance	0...4mm
Standard target	12x12mm FE360
Thermal drift of Sr	±5% (0...+70°C); ±10% (-25°C...0°C)
Repeat Accuracy	0,3mm (UB 20...30Vcc/Vdc Ta=23°C ±5°C)
Resolution	≤1μm

Outputs

Output type	Voltage output 0-10V
-------------	----------------------

Electrical data

Operating Voltage	15 - 30Vdc
No-Load supply current	≤ 10mA
Load current	≤ 10mA

0V - 0 + 0,4V (23°C) +5,2V ± 0,4V (23°C) +10V ± 0,4V (23°C)

1600Hz

Max ripple content	≤20%
Time delay before availability	≤50ms
Short-circuit protection	Yes
Reverse Polarity Protection	Yes
Output voltage	0V - 0 + 0,4V (23°C) +5,2V ± 0,4V (23°C) +10V ± 0,4V (23°C)

Mechanical data

Dimensions	M8 x 1 / L = 45mm
Mounting	Partially shielded
Weight	50g
Housing Material	Chrome plated brass
Connections	2m PUR cable - Axial Exit
Active Head Material	PBT
Tightening torque	3Nm
Operating temperature	-25°C...+70°C

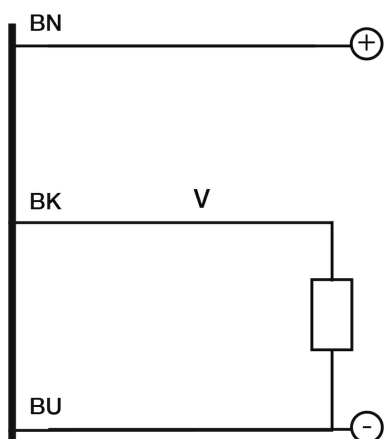
Test/Approvals

Approvals	CE
EMC compatibility	IEC 60947-5-2
Shocks and vibrations	Vibrations IEC 60068-2-6 / Shocks IEC 60068-2-27
Degree of protection	IP 67 (EN60529)

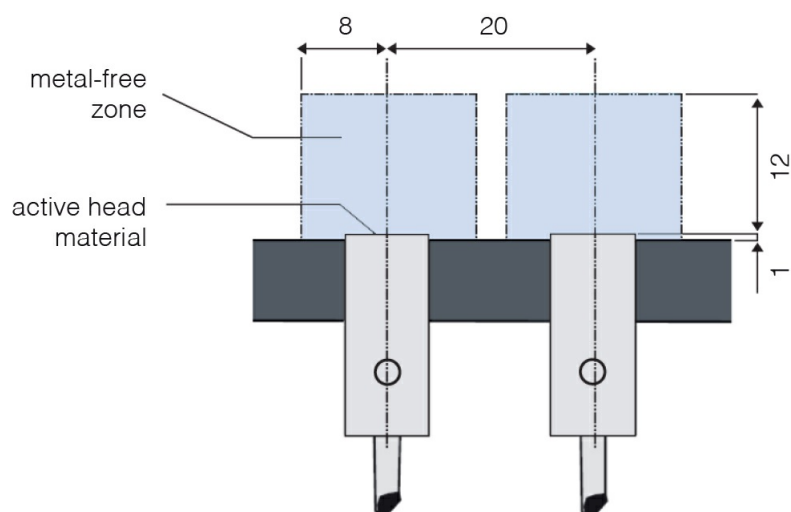
Accessories

Supplied Accessories	2 M8x1 nuts
----------------------	-------------

ELECTRICAL DIAGRAMS OF THE CONNECTIONS



INSTALLATION



M.D. Micro Detectors S.p.A.

Strada S. Caterina, 235

41122 Modena (MO)

Tel. 059 420411

Fax 059 253973

E-mail info@microdetectors.com

date of printing

04/07/2019 15:14:33