

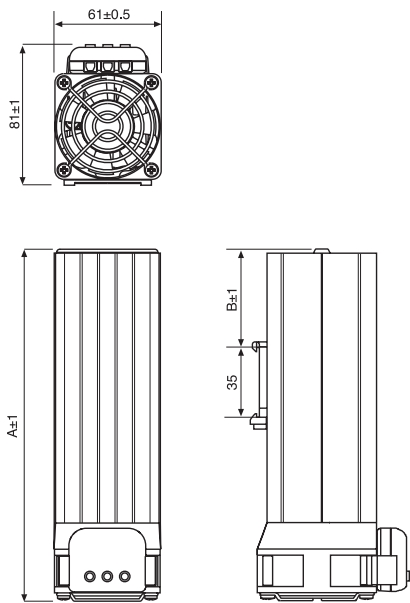
“RACMV” VENTILATED HEATERS

Description: 250/400 W

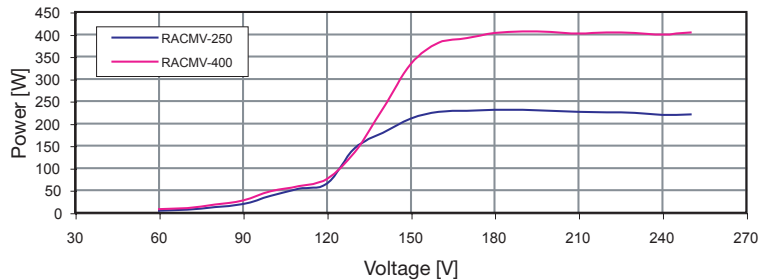


- Heating element:** PTC thermistor, self regulating
- Heat sink:** black anodised extruded aluminium profile
- Method of mounting:** snap-on fixing on RAIL 35 mm
DIN 46 277/3 EN 50 022
- Rated temp. range:** from -30°C to +40°C
- Storage temp. range:** from -40°C to +80°C
- Protection degree by heaters:** IP20
- Electrical connection:** by connection with screw terminals (L-N-PE)
for nominal cross-sectional area
of conductors from 0.75 from 4 mm²
- Fan type:** equipped with d.c. frame fan
with ball bearings for forced ventilation
- Appliance class:** class I
- Over voltage categories:** III as IEC 60664-1 standard
- Rated voltage:** 230 V a.c./d.c.
- Rated voltage range:** 210-250 V a.c.
- Rated frequency:** 50/60 Hz
- Operating temperature:** from -10°C to +60°C
- Applicable standard:** EN 60335-1
- Approvals:** CE

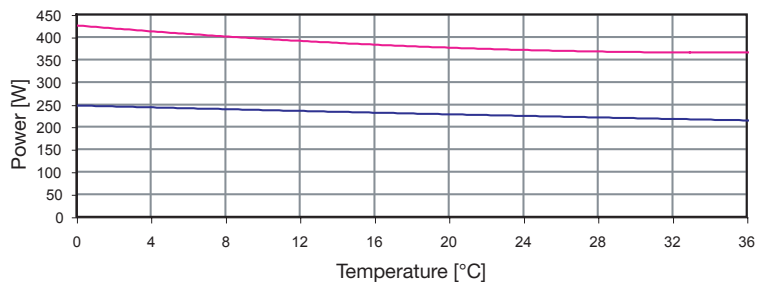
technical drawing



Heating performance



Power/Temperature



Model	Dimensions		Heating Power *	Absorbed Current *	External Surface**	Internal Heat Sink**	Weight
	A [mm]	B [mm]	[W]	[mA]	[°C]	[°C]	[Kg]
RACMV-250	197	70	250	1,035	70	100	0.49
RACMV-400	272	107	400	1,800	90	140	0.66

* The above values of heating power, absorbed power and temperature, were obtained at 230 Va.c. 50Hz and at ambient temperature condition of 15±5°C after a working of 10 minutes. These values have an uncertainty of 10%.

** Temperatures have been obtained after a working of 10 minutes at ambient temperature condition of 23.5°C.

All specifications, data and drawing are subject to change without notice and are approximate. Please refer to our terms of sales including our warranty and limited liabilities clauses.