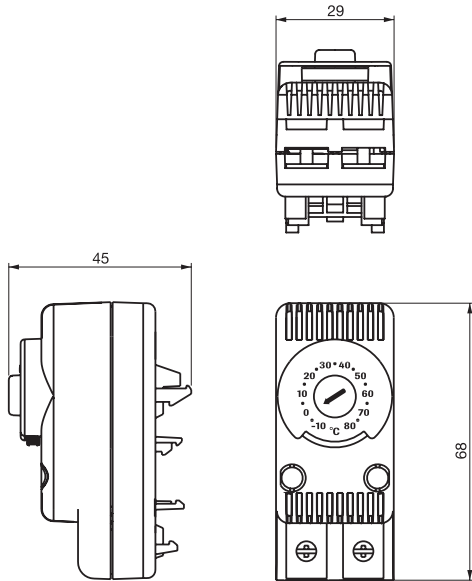
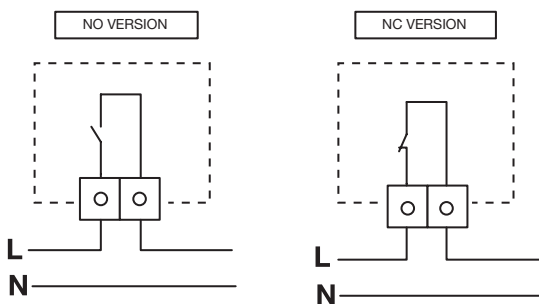



MECHANICAL THERMOSTAT

Description: NO/NC Thermostat for rail



wiring diagrams



Enclosure material:	PA66 UL 94V-0
Colour:	grey RAL 7035
Protection degree:	IP20
Mounting on:	rail 35 mm (EN 50 022) rail 15 mm (EN 50 045) rail 32 mm (EN 50 035)
Method of mounting:	snap-on
Electrical connection:	screw terminals
External section wires:	from 0.75 mm ² to 2.5 mm ²
Sensing element type:	bi-metallic
Setting/indexing:	external Knob / 5°C
Operating temperature:	from -10°C to +80°C
Storage temperature:	from -40°C to +90°C
External dimensions:	68x29x45 mm
Endurance:	> 100.000 cycles
Applicable standard:	EN 60730-1
Approvals:	

Model	Rated Voltage	Rated Current	Contact Current carrying capacity	Setting Range	Differential (referred to set point)	Accuracy	Net Weight
	(V.a.c.) 50/60Hz	(A)	(A)	(°C)	(°K)	(°K)	(g)
TRT-10A230V-NC	110-250	10 (6*)	15	-10° ~ +80°	- 3	± 3	48
TRT-10A230V-NO	110-250	10 (6*)	15	-10° ~ +80°	+ 4 if A≤5 + 7 if A>5	± 3	48

* () inductive load with $\cos \varphi = 0.6$