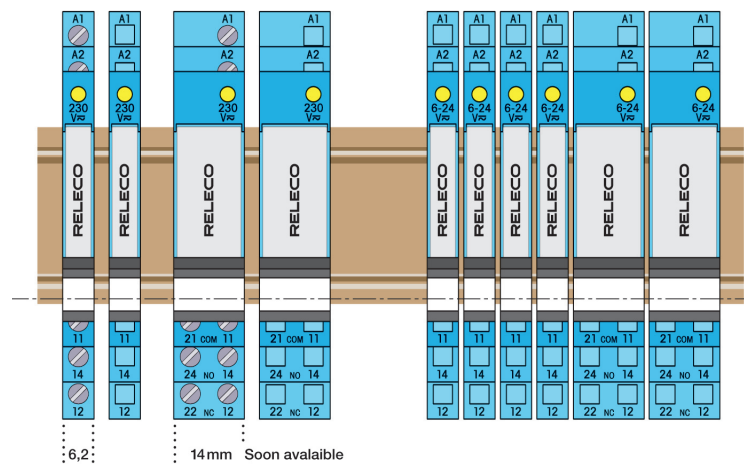


## Interface Module RINT

NEW



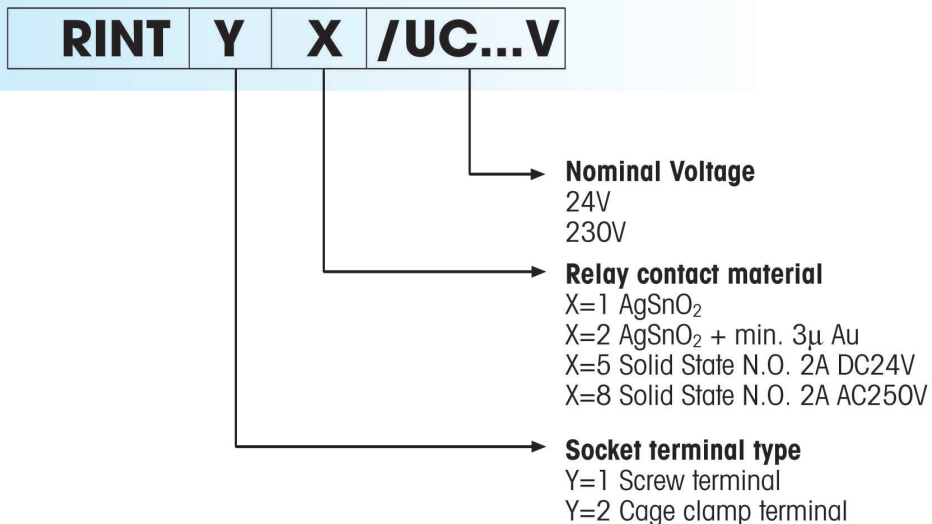
- ✓ Relay module up to 6A 250V, different contact material
- ✓ Solid state modules DC, AC up to 2A
- ✓ Coil UC = AC/DC, not polarised, integrated freewheeling circuit
- ✓ LED status display
- ✓ Screw terminals or spring cage terminals
- ✓ Optional coloured bridges for different connections
- ✓ Narrow mounting 6,2mm

## RINT RELAY CODIFICATION AND ACCESSORIES

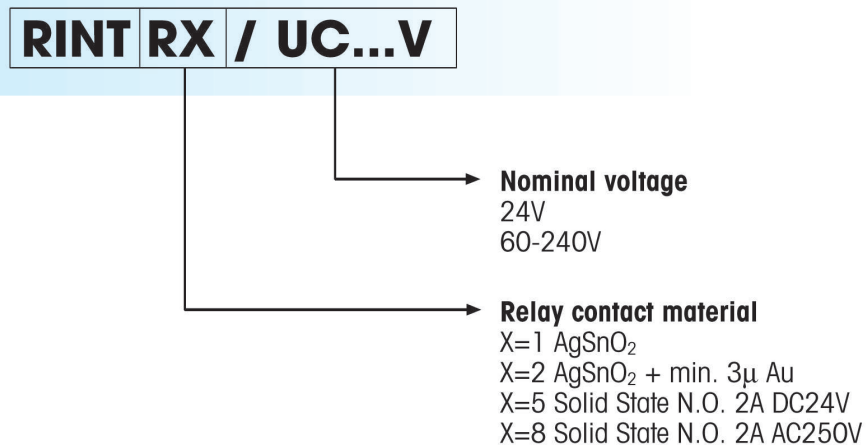
### RINT INTERFACE RELAY CONSISTS OF TWO COMPONENTS.

- Relay
- Socket

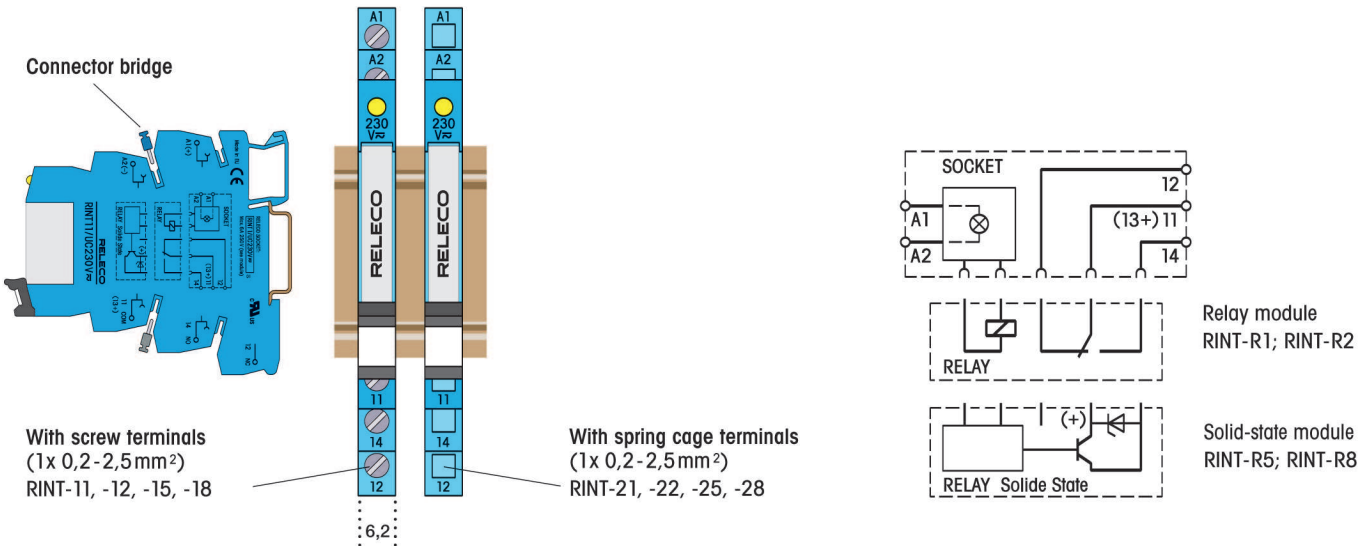
### CODIFICATION FOR COMPLETE RELAY MODULE RELAY AND SOCKET 6,2 mm



### RELAY CODIFICATION



RINT  
INTERFACE MODULE



**Interface module**  
Complete with integrated LED and switching module

RINT-11, RINT-21 RINT-12, RINT-22 RINT-15, RINT-25 RINT-18, RINT-28

**Interface module** for PLC's and process control. High power contact AgSnO<sub>2</sub>. With screw terminals (RINT-11) or spring cage terminals (RINT-21). No external freewheeling circuit required. Bridges optional.

**Interface module** Specially for PLC, process controls with DC currents. Contact AgSnO<sub>2</sub>+3μAu. With screw terminals (RINT-12) or spring cage terminals (RINT-22). No external freewheeling circuit required. Recommended max. load 250V 6A resistive. Bridges optional

**Solid state-interface module** for PLC's and process control. DC solid state switch, type NO. For fast and high frequently switching. With screw terminals (RINT-15) or spring cage terminals (RINT-25). Bridges optional.

**Triac-interface module** for PLC's and process control. AC output interface 0 synchronous switching NO for resistive or similar load. (No transformer rec.) With screw terminals (RINT-18) or spring cage terminals (RINT-28). Bridges optional.

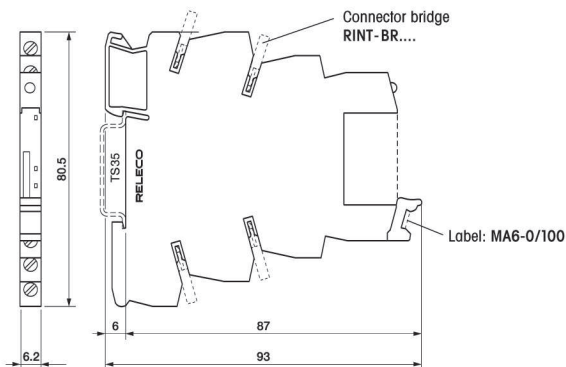
|           |    |    |     |     |
|-----------|----|----|-----|-----|
| CE        | UL | GL | MAX | MIN |
| 6A 250V~  |    |    |     |     |
| 100mA/12V |    |    |     |     |

|   |   |  |  |   |
|---|---|--|--|---|
| <p>Technical data (Tamb 20°C)</p> <p>Contact type/material<br/>Switching power AC1<br/>Switching power DC1 24V/230V<br/>Switching power AC15<br/>Peak inrush current<br/>Switching cycles: mech./elec.<br/>Isolation EN 61810-5</p> | CO/AgSnO <sub>2</sub><br>1500W<br>140W/40W<br>NO 750W / NC 375W<br>10A/4s<br>10x10 <sup>6</sup> /10 <sup>5</sup><br>4kV             | CO/AgSnO <sub>2</sub> + 3μAu<br>1500W<br>140W/40W<br>-<br>10A/4s<br>10x10 <sup>6</sup> /10 <sup>5</sup><br>4kV | NO/Solide-state DC<br>-<br>48W<br>-<br>-<br>-<br>2,5kV         | NO/Solide-state AC (triac)<br>480W<br>-<br>40A/20ms<br>-<br>2,5kV |
|   | <p>Operation voltage AC50/60Hz/DC<br/>Power consumption Pmax. 24V/230V<br/>On delay/release time<br/>Temp.: operating/(storage)</p> | -20...+100%<br>170/217mW<br>5ms/2,5ms<br>-40...80°C/-40...85°C   | -20...+100%<br>170/217mW<br>5ms/2,5ms<br>-40...80°C/-40...85°C | -37...+25%<br>185mW<br><60μs/<600μs<br>-30...80°C/-40...100°C     |

|               |                            |   |   |  |  |
|---------------|----------------------------|---|---|--|--|
| Ordering -NO. | <p>UC</p> <p>50/60Hz/≡</p> | 24, 230<br>RINT-11/UC...V<br>RINT-21/UC...V | 24, 230<br>RINT-12/UC...V<br>RINT-22/UC...V |  |  |
|               | <p>DC</p> <p>≤ 10%</p>     |   |   | 24<br>RINT-15/DC...V<br>RINT-25/DC...V | 24<br>RINT-18/DC...V<br>RINT-28/DC...V |
|               | Replacement relay          | RINT-R1/UC60-240V<br>RINT-R1/UC24V          | RINT-R2/UC60-240V<br>RINT-R2/UC24V          | RINT-R5/DC24V                          | RINT-R8/DC24V                          |

Ordering example

|   |
|---|
| Interface module<br>RINT-21/UC24V                                 |
| Connector bridge<br>RINT-BR2-6B/10<br>(packing unit: 1x10 pieces) |
| Replacement relay<br>RINT-R1/UC24V                                |



Accessories:

- Label:  
RINT-MA6-0/100 (100 pieces)
- Bridges:
- 500mm blue: RINT-BR1-500B (1 piece)
  - 500mm grey: RINT-BR1-500G (1 piece)
  - 6mm blue: RINT-BR2-6B/10 (10 pieces)
  - 6mm grey: RINT-BR2-6G/10 (10 pieces)
  - 6mm red: RINT-BR2-6R/10 (10 pieces)

| <b>RELAY + SOCKET</b> | <b>DESCRIPTION</b>                               |
|-----------------------|--|
| RINT-11 / UC24V       | Screw terminal AgSnO <sub>2</sub>                |
| RINT-21 / UC24V       | Cage clamp AgSnO <sub>2</sub>                    |
| RINT-11 / UC230V      | Screw terminal AgSnO <sub>2</sub>                |
| RINT-21 / UC230V      | Cage clamp AgSnO <sub>2</sub>                    |
| RINT-12 / UC24V       | Screw terminal AgSnO <sub>2</sub> +3μ Au         |
| RINT-22 / UC24V       | Cage clamp AgSnO <sub>2</sub> +3μ Au             |
| RINT-12 / UC230V      | Screw terminal AgSnO <sub>2</sub> +3μ Au         |
| RINT-22 / UC230V      | Cage clamp AgSnO <sub>2</sub> +3μ Au             |
| RINT-15 / UC24V       | Solid State screw terminal DC loads              |
| RINT-25 / UC24V       | Solid State cage clamp DC loads                  |
| RINT-18 / UC24V       | Solid State screw terminal AC loads              |
| RINT-28 / UC24V       | Solid State cage clamp AC loads                  |
| <b>RELAY</b>          | <b>DESCRIPTION</b>                               |
| RINT-R1/UC24V         | Relay module contacts AgSnO <sub>2</sub>         |
| RINT-R1/UC60-240V     | Relay module contacts AgSnO <sub>2</sub>         |
| RINT-R2/UC24V         | Relay module contacts AgSnO <sub>2</sub> + 3μ Au |
| RINT-R2/UC60-240V     | Relay module contacts AgSnO <sub>2</sub> + 3μ Au |
| RINT-R5/DC24V         | Solid State relay module DC loads                |
| RINT-R8/DC24V         | Solid State relay module AC loads                |
| <b>BRIDGES</b>        | <b>ACCESORIES</b>                                |
| RINT-BR1-500B         | Blue bridges 1 unit 500mm                        |
| RINT-BR1-500G         | Grey bridges 1 unit 500mm                        |
| RINT-BR2-06G/10       | Grey bridges 10 units                            |
| RINT-BR2-06B/10       | Blue bridges 10 units                            |
| RINT-BR2-06R/10       | Red bridges 10 units                             |
| <b>LABELS</b>         | <b>ACCESORIES</b>                                |
| RINT-MA6-0/100        | Labels 100 units                                 |